

CX DYNAMIC

with tilting



Main features

- Cadences up to 70 ppm.
- Capacity: 3 kg - 1 g / 6 kg - 2 g with motorized belts width 230 mm.
- Capacity: 6 kg - 2 g with motorized belts width 230, 275 and 320 mm.
- Capacity: 15 kg - 5 g with motorized belts width 420 mm.
- 4 motorized belts, closed loop.
- Brushless motors and drive boards, speed up to 70 m/min.
- Working temperature: from 0 °C to + 40 °C.
- Power supply: 230 Vac (Hz 50/60).
- Maximum power: 600 W.
- Resistive PC/Panel 12" display, suitable for use with gloves and in the presence of water/condensation.
- Structure and carpentry in aluminum and stainless steel.
- Belt height from the ground: 850 +/- 50 mm.
- Machine management by PLC.

Software

- Weight control program.

Selectable functions

- External availability for data sharing.
- Weighing range selection with reject output enabling.
- Viewing reports on checks performed.
- Export production report on USB port.
- Multilingual selection.
- Multi-level password.

PLU

- PLU number: 9999.
- For each PLU:
 - 2 description fields.
 - Tare.
 - Minimum threshold.
 - Maximum threshold.
 - Duration and delay expulsion.
 - Alarm upon reaching number of expulsions.
- Automatic programming of parameters (motor speed, minimum and maximum weighing threshold, duration and delay of expulsion).

Totals

- Totals per PLU.
- Totals per lot of traceability, lot/PLU.

I/O Section

- 1 USB 2.0.
- 1 Ethernet.
- 2 electrical signals (clean contacts).

Options

- 6000 divisions.
- Network machine management software with RS server communication protocol.
- 2D camera for presence and reading of the label.
- 2D camera for reading QR Code.
- Cameras for optical control.
- External PROFIBUS interface, Profibus protocol with PCB.
- Communication protocol ETHERCAT.
- Tilting belt ejector.
- Collection basket in stainless steel or plastic.
- Overflow photocell.
- Slide diverter, 2 or 3 outputs.
- Air diverter, 1, 2 or 3 outputs.
- Led light column for out of tolerance and alarms.

Dimensions

Series 230 useful belt dimensions [mm]

CADENCE	WEIGHING	EJECTOR	TILTING
230x430	230x570	230x430	230x430

Series 275 useful belt dimensions [mm]

CADENCE	WEIGHING	EJECTOR	TILTING
275x430	275x570	275x430	275x430

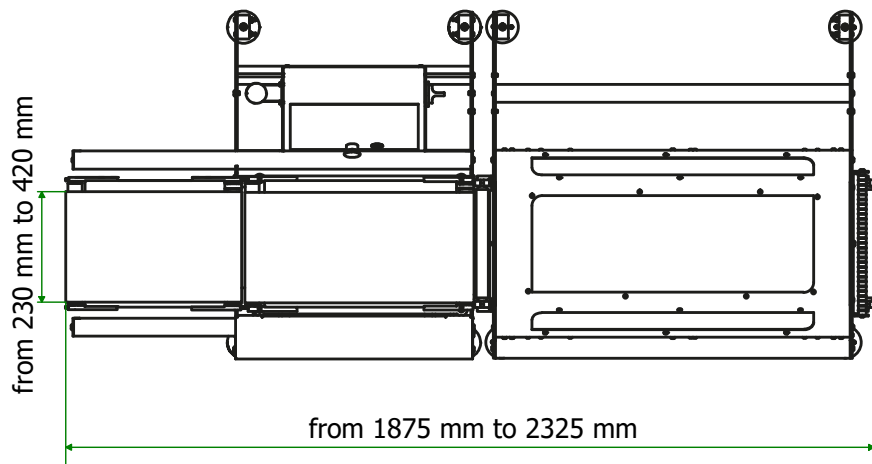
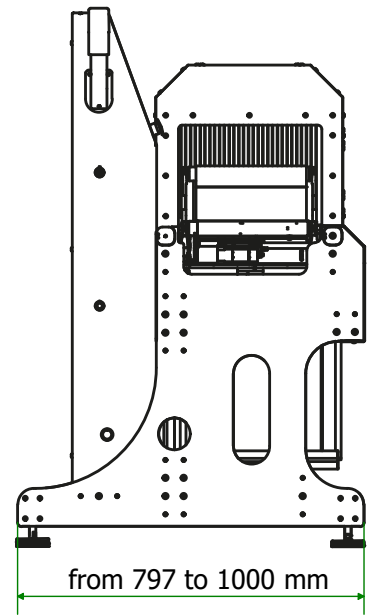
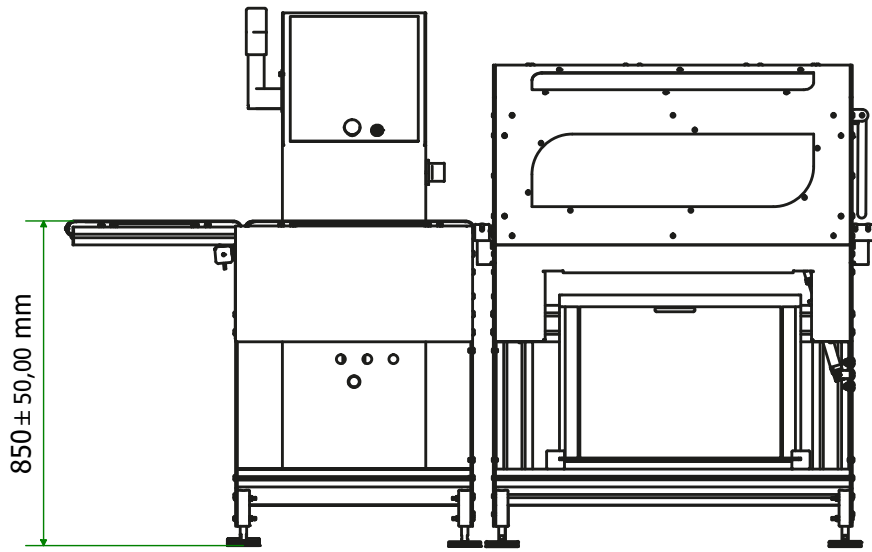
Series 320 useful belt dimensions [mm]

CADENCE	WEIGHING	EJECTOR	TILTING
320x600	320x600	320x600	320x510

Series 420 useful belt dimensions [mm]

CADENCE	WEIGHING	EJECTOR	TILTING
420x600	420x600	420x600	420x510

Layout



EX DYNAMIC

with tilting

MID APPROVAL

MODULAR AND INTEGRABLE

REDUCED MAINTENANCE COSTS

SELF-DIAGNOSTIC

CONNECTIVITY AND DATA SHARING WITH OTHER SOFTWARE

REMOTE ASSISTANCE



 TECHNOLOGY for Your Business

R.S. Bilance S.r.l.
Via Dionisio 26/A - 95030 Mascali - (CT) Italia
Tel. +39 095 910806
commerciale@rsbilance.com
www.rsbilance.com

