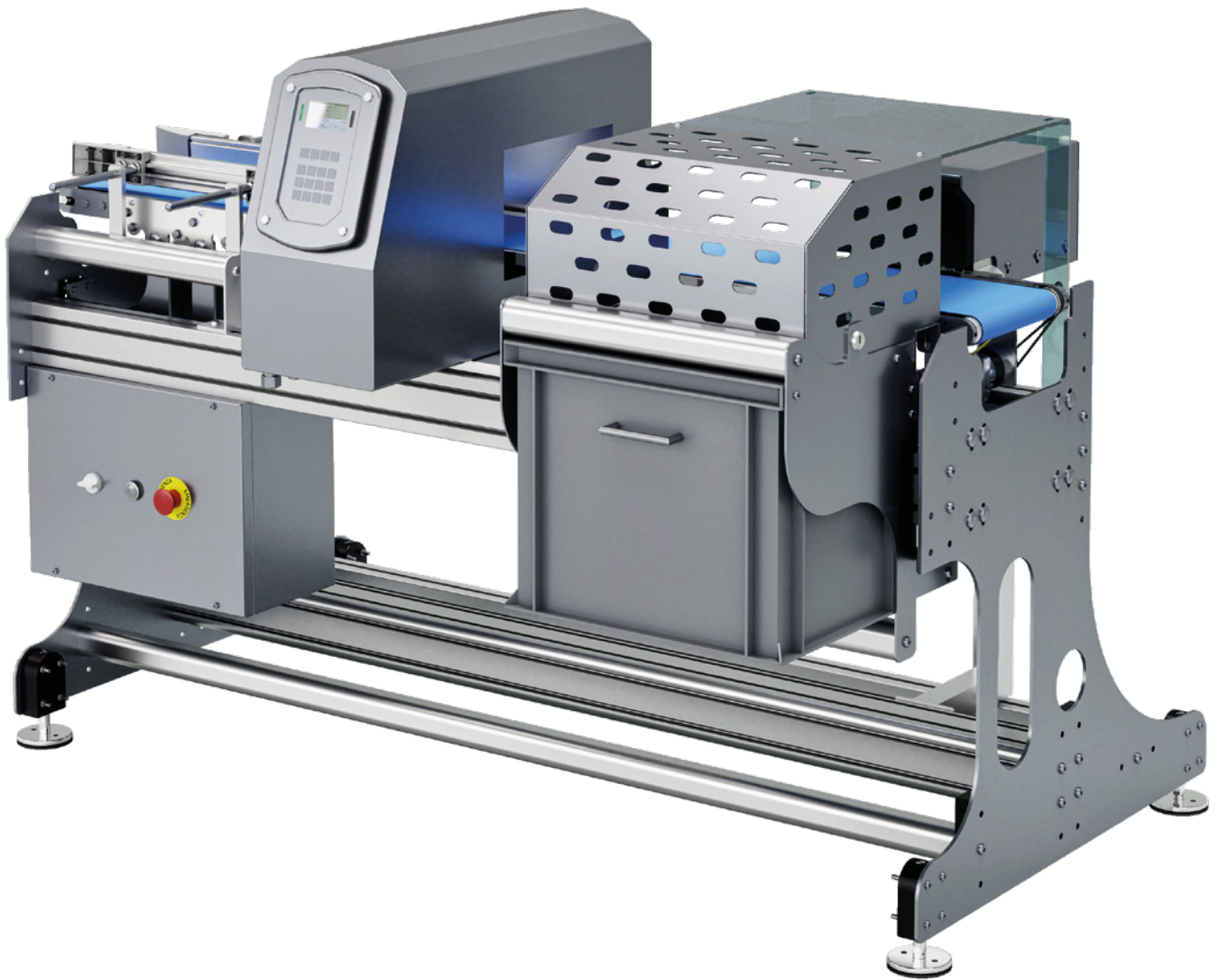


TMS



Main features

- Brushless motor and drive board, speed up to 55 m/min.
- Working temperature: from 0 °C to + 40 °C.
- Power supply: 230 Vac (Hz 50/60).
- Maximum power: 800 W (with brushless motor).
- Structure and carpentry in aluminum and stainless steel.
- Belt height from the ground: 850 +/- 50 mm.
- Control Power Box available according to UL 508A and CSA-C22.2 No. 14-05 Standards.
- Light column with LED technology.

Main features probes

- Superior detection capacity of magnetic and non-magnetic metal contaminants including stainless steels.
- Effective compensation of the product effect.
- Compliant with FDA 21CFR Part 11: Safety; Integrity; Traceability of data.
- AISI 316L stainless steel structure and plastic materials compatible with EU, FDA compliant foods.
- Superior construction able to withstand high pressure washes.
- High sensitivity to all magnetic and non-magnetic metals including stainless steels.
- Multifrequency technology for maximum sensitivity to the variation of the Product Effect.
- High immunity to environmental disturbances.
- Structure and components in AISI 316L stainless steel with IP65 protection degree.
- Self-acquisition and automatic tracking of the Product Effect.
- 250 storable products, selectable from local programming or network software.
- 1.000 storable events.
- 4x20 character alphanumeric display.
- Local programming: 4 keys, 3 of which with double function.

Options

- Piston ejector, arm or pneumatic blow.
- Collection basket in stainless steel and plastic.
- Overflow photocell.
- Continuous waste photocell.
- Input product guides.

Series 95 useful belt dimensions [mm]

HEIGHT	WITHOUT EJECTOR	WITH EJECTOR
60	95x820	95x1020

Series 140 useful belt dimensions [mm]

HEIGHT	WITHOUT EJECTOR	WITH EJECTOR
60	140x820	140x1020
85	140x870	140x1070
110	140x920	140x1120
135	140x970	140x1170
160	140x1020	140x1220
185	140x1070	140x1270
210	140x1120	140x1320

Series 185 useful belt dimensions [mm]

HEIGHT	WITHOUT EJECTOR	WITH EJECTOR
60	185x820	185x1070
85	185x870	185x1120
110	185x920	185x1170
135	185x970	185x1220
160	185x1020	185x1270
185	185x1070	185x1320
210	185x1120	185x1370

Series 230 useful belt dimensions [mm]

HEIGHT	WITHOUT EJECTOR	WITH EJECTOR
60	230x820	230x1170
85	230x870	230x1220
110	230x920	230x1270
135	230x970	230x1320
160	230x1020	230x1370
185	230x1070	230x1420
210	230x1120	230x1470

Series 275 useful belt dimensions [mm]

HEIGHT	WITHOUT EJECTOR	WITH EJECTOR
60	275x820	275x1270
85	275x870	275x1320
110	275x920	275x1370
135	275x970	275x1420
160	275x1020	275x1470
185	275x1070	275x1520
210	275x1120	275x1570

Series 320 useful belt dimensions [mm]

HEIGHT	WITHOUT EJECTOR	WITH EJECTOR
60	320x820	320x1270
85	320x870	320x1320
110	320x920	320x1370
135	320x970	320x1420
160	320x1020	320x1470
185	320x1070	320x1520
210	320x1120	320x1570

Series 360 useful belt dimensions [mm]

HEIGHT	WITHOUT EJECTOR	WITH EJECTOR
310	360x1961	360x2461

Series 420 useful belt dimensions [mm]

HEIGHT	WITHOUT EJECTOR	WITH EJECTOR
60	420x820	420x1370
85	420x870	420x1420
110	420x920	420x1470
135	420x970	420x1520
160	420x1020	420x1570
185	420x1070	420x1620
210	420x1120	420x1670

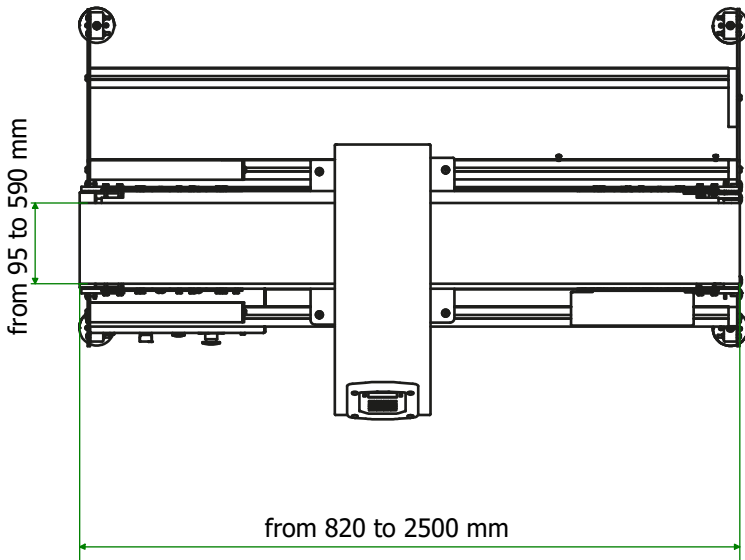
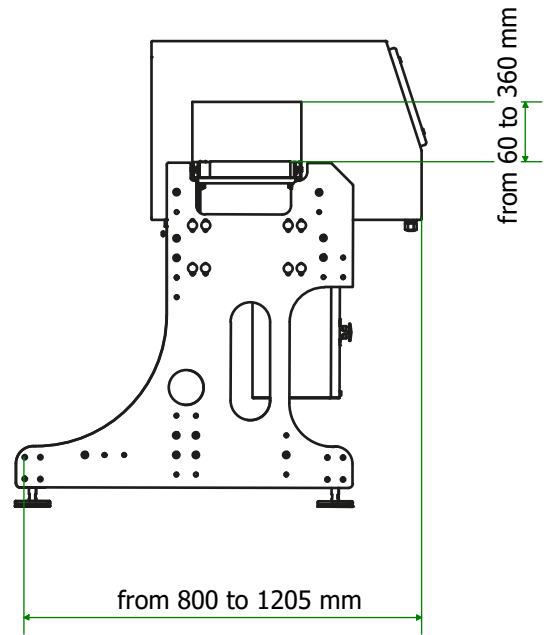
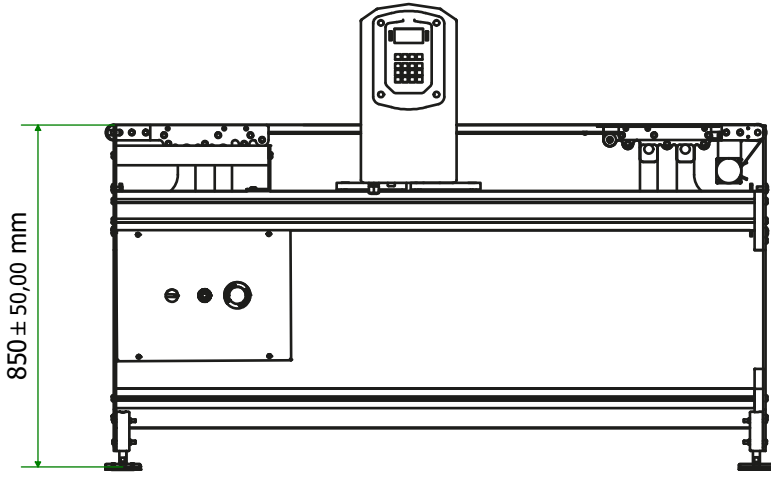
Series 510 useful belt dimensions [mm]

HEIGHT	WITHOUT EJECTOR	WITH EJECTOR
60	510x820	510x1370
85	510x870	510x1420
110	510x920	510x1470
135	510x970	510x1520
160	510x1020	510x1570
185	510x1070	510x1620
210	510x1120	510x1670

Series 590 useful belt dimensions [mm]

HEIGHT	WITHOUT EJECTOR	WITH EJECTOR
110	590x1120	590x1870

Layout



TMS

MODULAR AND INTEGRABLE

REDUCED MAINTENANCE COSTS

SELF-DIAGNOSTIC

CONNECTIVITY AND DATA SHARING WITH OTHER SOFTWARE

REMOTE ASSISTANCE



 TECHNOLOGY for Your Business

R.S. Bilance S.r.l.
Via Rinaudo, 19, Valcorrente - 95032 Belpasso CT
Tel. +39 095 3523283
commerciale@rsbilance.com
www.rsbilance.com

