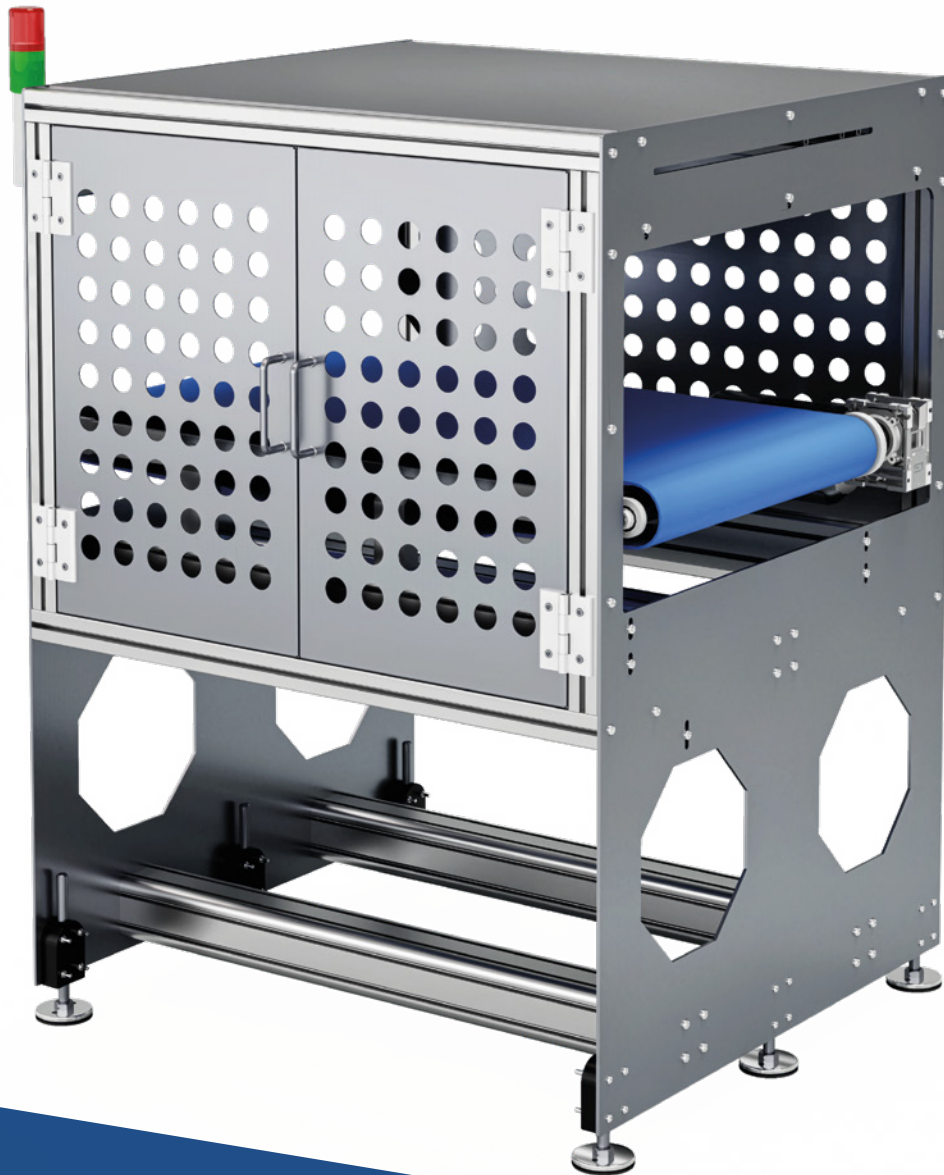


DV.A

FROM 1 to 2



DV.A From 1 to 2

Pneumatic diverter

Main features

- Cadences up to 120 ppm.
- 1 motorized belt, closed loop width from 500 to 1000 mm.
- Brushless motor and drive board, speed up to 70 m/min.
- Working temperature: from 0 °C to + 40 °C.
- Power supply: 230 Vac (Hz 50/60).
- Maximum power: 0.75 kW.
- Structure and carpentry in aluminum and stainless steel.
- Belt height from the ground: 850 +/- 50 mm.
- Machine management by PLC.
- Mechanical blade adjustments.

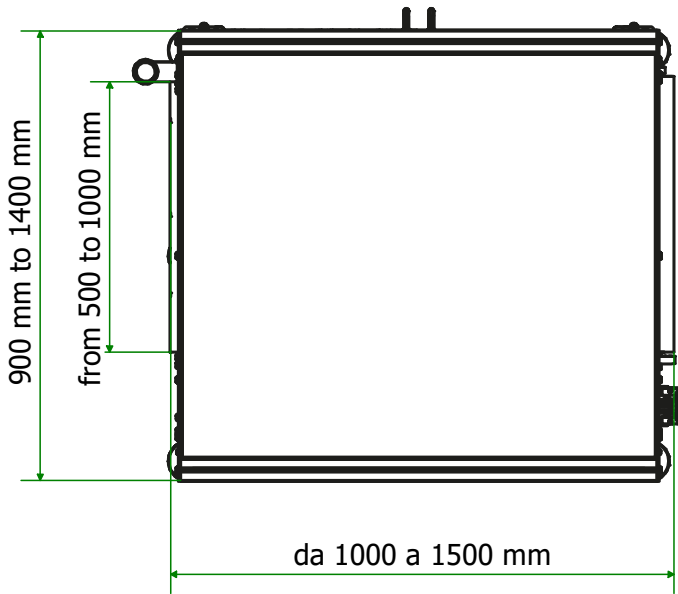
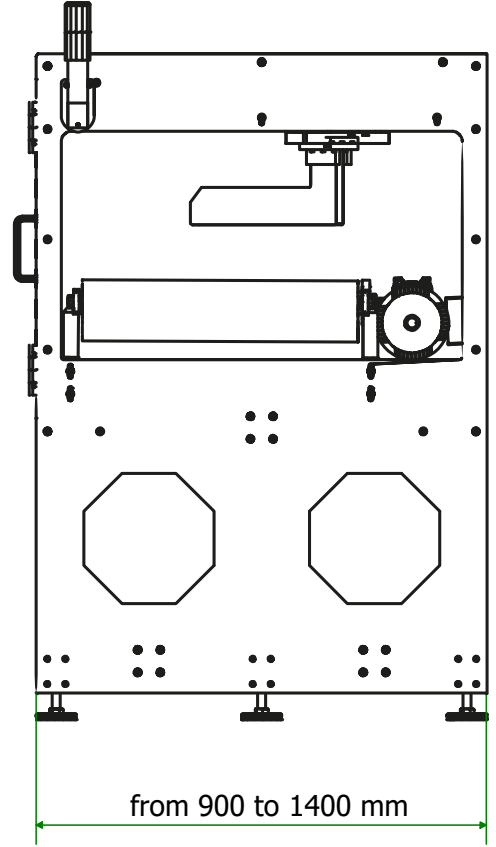
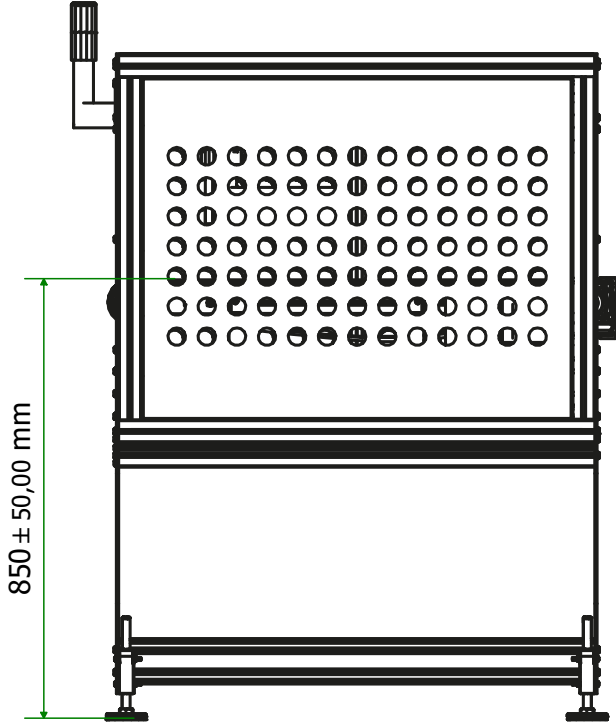
Possible applications

- Selection of output lines based on signals from checkweighers, metal detectors, barcode readers, vision systems.
- Balancing of the production flow on the downstream machines.
- Connection between production machines of different capacities.

Options

- Incoming cadence belts.

Layout



DV.A

FROM 1 TO 2

MODULAR AND INTEGRABLE

REDUCED MAINTENANCE COSTS

SELF-DIAGNOSTIC

CONNECTIVITY AND DATA SHARING WITH OTHER SOFTWARE

REMOTE ASSISTANCE



 TECHNOLOGY for Your Business

R.S. Bilance S.r.l.

Via Rinaudo, 19, Valcorrente - 95032 Belpasso CT

Tel. +39 095 352328a3

commerciale@rsbilance.com

www.rsbilance.com

