

NT.MOD



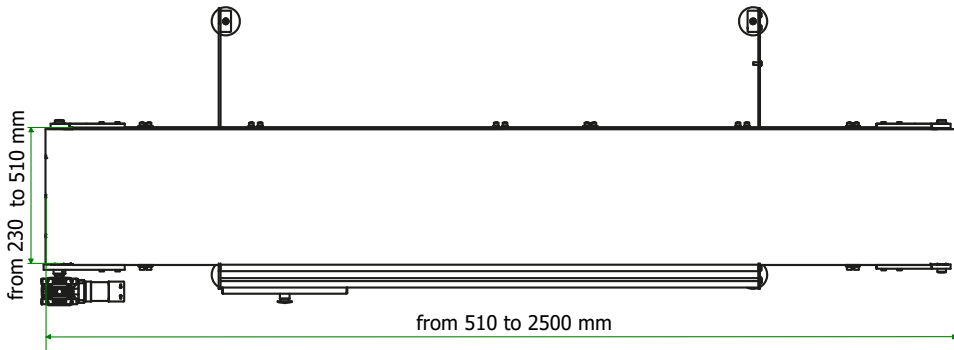
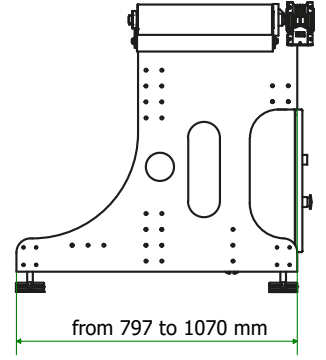
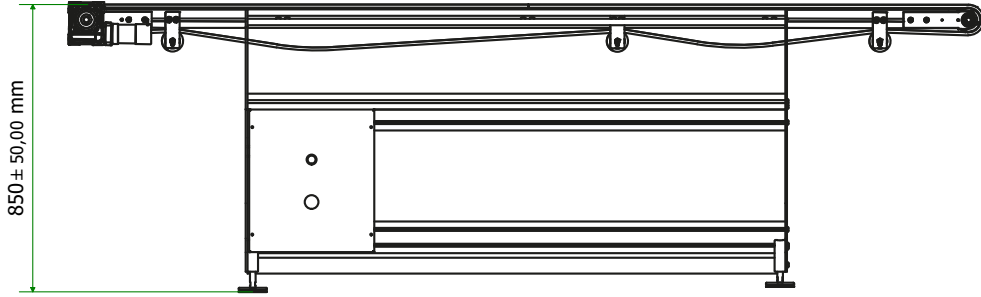
Main features

- Modular plastic belt.
- Brushless motor and drive board (optional).
- Variable speed adjustment (only if combined with brushless or asynchronous motor with inverter).
- Power supply: 380 V (Hz 50/60) with start button.
- Power supply: 220 V (Hz 50/60) with inverter (optional).
- Structure and carpentry belt in stainless steel and anodized aluminum.
- Transport from 1 g to 50 kg.

Dimensions

Series 230 useful belt dimensions [mm]	Series 380 useful belt dimensions [mm]	Series 420 useful belt dimensions [mm]	Series 455 useful belt dimensions [mm]	Series 510 useful belt dimensions [mm]
230x510	380x510	-	-	-
230x570	380x570	-	-	-
230x750	380x750	420x750	-	510x750
230x1000	380x1000	420x1000	-	510x1000
230x1200	380x1200	420x1200	-	510x1200
230x1600	380x1600	420x1600	-	510x1600
-	-	-	-	510x2000
-	-	-	-	510x2500
-	-	-	455x6400	-

Layout



NT.MOD

MODULAR AND INTEGRABLE

REDUCED MAINTENANCE COSTS

SELF-DIAGNOSTIC

CONNECTIVITY AND DATA SHARING WITH OTHER SOFTWARE

REMOTE ASSISTANCE



 TECHNOLOGY for Your Business

R.S. Bilance S.r.l.
Via Rinaudo, 19, Valcorrente - 95032 Belpasso CT
Tel. +39 095 352328a3
commerciale@rsbilance.com
www.rsbilance.com

